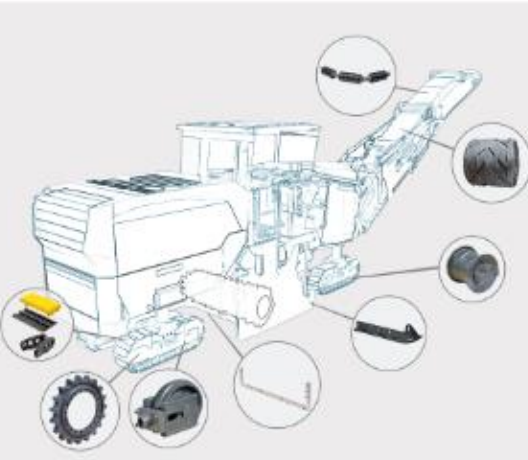




Ersatz- und Verschleißteile  
für Straßenbaumaschinen

## Campaign Period

01.10.2022 - 31.03.2023



### Secure your original FINK spare and wear parts at campaign prices!

As reliable partner at your side we offer you the opportunity to plan your winter season with your chosen delivery dates. Of course, you are also free to order during the season on short notice.

Our offer includes:

- Repair kits at campaign prices
- Premium quality: made in Germany

- Reliable and quick delivery times
- Spare and wear parts as single pieces or as set
- Habitual conditions
- Flexible repair and maintenance offer, tailor made to your needs
- Spare and wear parts for road constructions machinery and asphalt plants
- FINK service technicians for your construction site or your workshop

Production of our original FINK products is running at high capacity. With our well-stocked warehouse there will be no shortness of supply in original FINK parts. Convinced?

Contact your representative for more information.

Profit from the longevity of the original FINK replacement parts. Enjoy less changing times. Please contact us **per mail** [info@bm-fink.de](mailto:info@bm-fink.de) **or by phone** **+49 9153 970 970** for your individual maintenance offer.



Also take advantage of our well-equipped mobile **FINK Service**. Our competent maintenance team ensures the best care for your machines through customer specific and individual solutions. The service team is well coordinated by experienced employees.

With our extensive service offerings, starting with machine revisions going to

happy to assist you. Producer independent, competent and fully on target.

Our mobile, producer independent services include the following:

- Technical phone support
- Machine revisions
- Winter repairs
- Maintenance
- Repair service, on your construction site or at your workshop
- Mounting and removal of spare parts
- Non-committal spare parts suggestions for periodic maintenance and service intervals
- On the spot appearance at absence due to holidays or sickness
- Detailed consultation, advice and troubleshooting
- Aquisition of spare and wear parts for road pavers of the brands Vögele, ABG/Volvo, Dynapac, Bomag and other well-known producers
- FINK Full Cooperation Service if wanted
- Technical trainings, garage trainings as well as application engineering
- Operation all over Europe

Please click [here for more information](#).

**Your FINK Team**

If you do not want to receive any more emails from us, please send us a reply with the subject: "keine Informationen per Mail".

[www.bm-fink.de](http://www.bm-fink.de)

